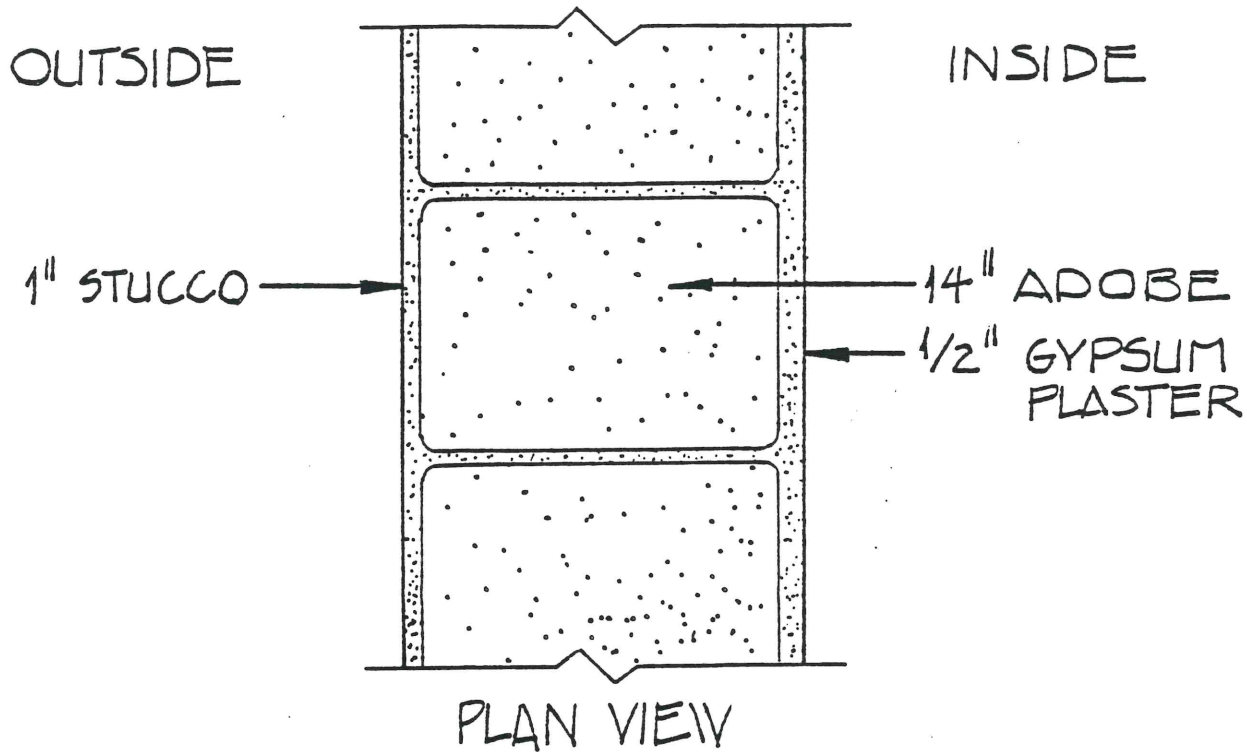
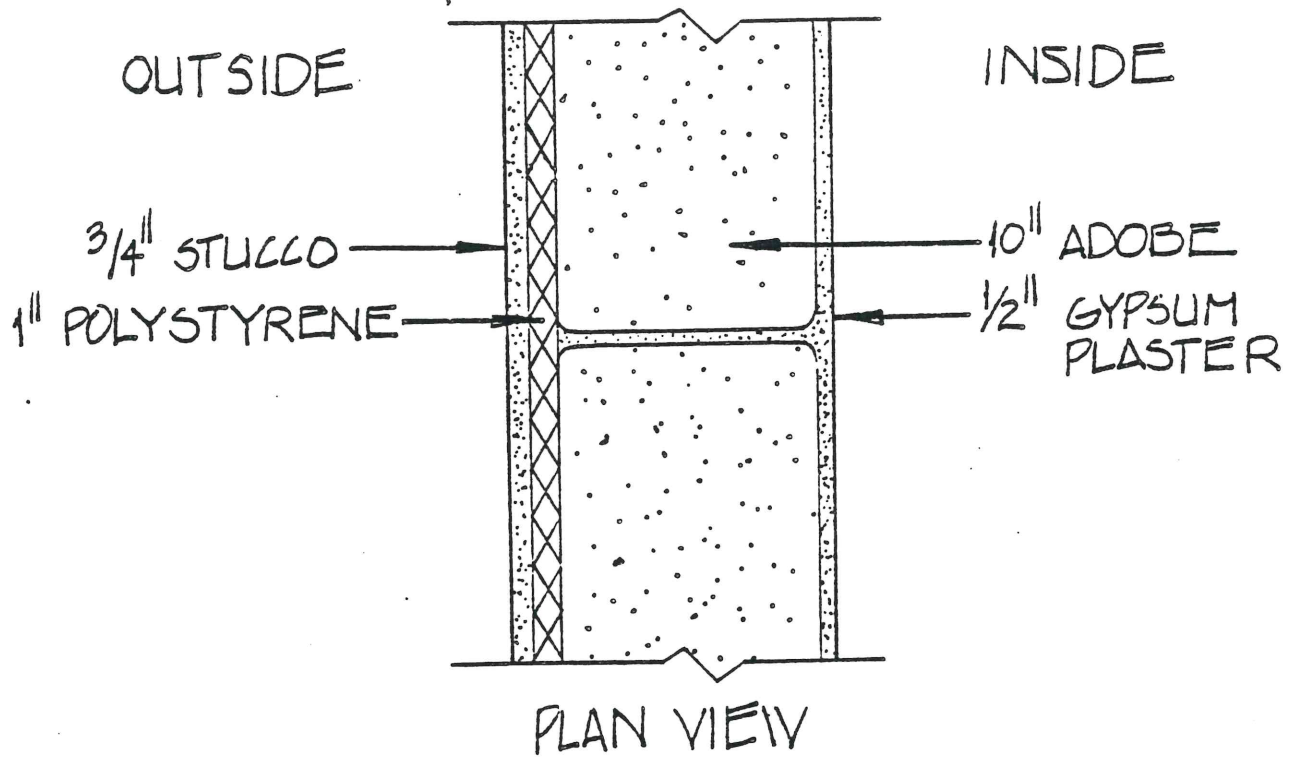


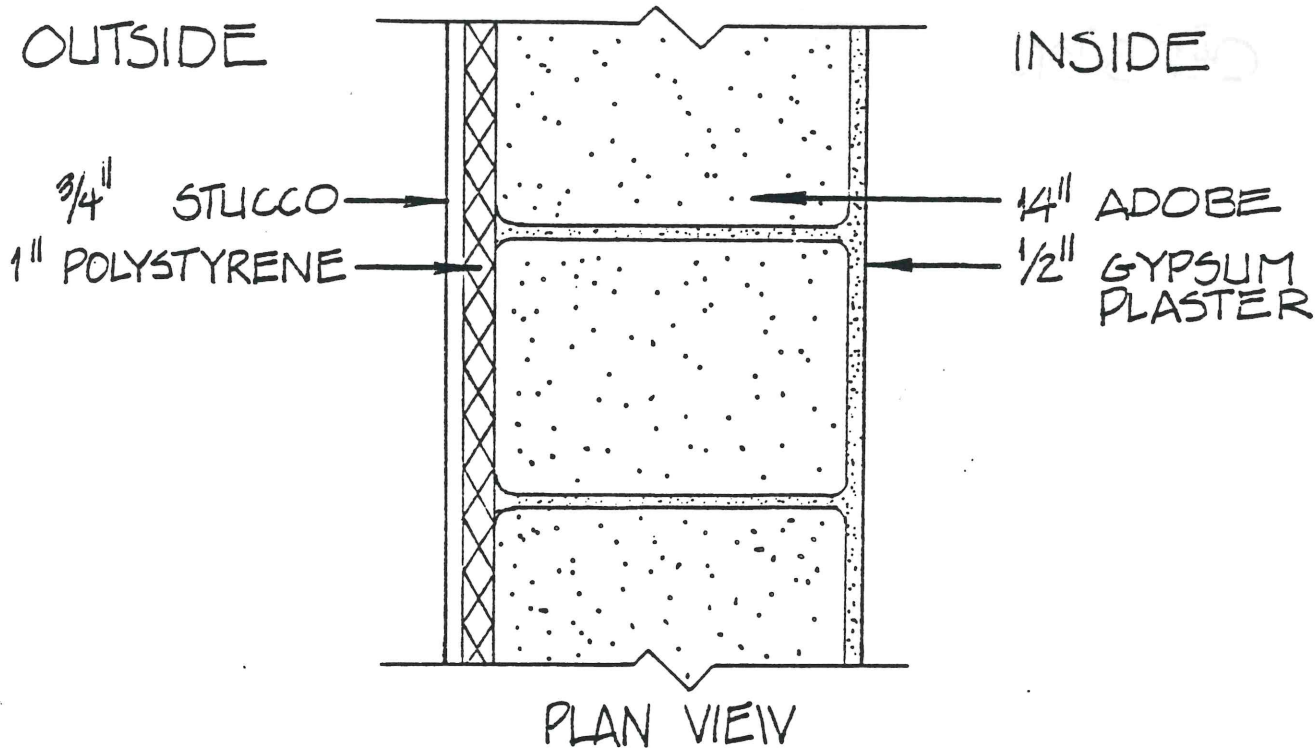
WALL TYPE <input type="checkbox"/> 1		ASHRAE STEADY STATE U-VALUE		.240		BTU HR·SF·°F	
HEATING EFFECTIVE U-VALUE							
WALL ORIENT.	WALL COLOR	CLIMATIC REGION					
		1.	2.	3.	4.		
EAST	LIGHT	.226	.217	.222	.211		
	MEDIUM	.194	.176	.178	.158		
	DARK	.161	.135	.133	.106		
SOUTH	LIGHT	.218	.208	.206	.197		
	MEDIUM	.174	.152	.136	.123		
	DARK	.131	.096	.067	.050		
WEST	LIGHT	.232	.224	.229	.218		
	MEDIUM	.208	.193	.194	.178		
	DARK	.185	.162	.160	.137		
NORTH	LIGHT	.238	.234	.241	.231		
	MEDIUM	.223	.217	.224	.210		
	DARK	.208	.201	.207	.188		



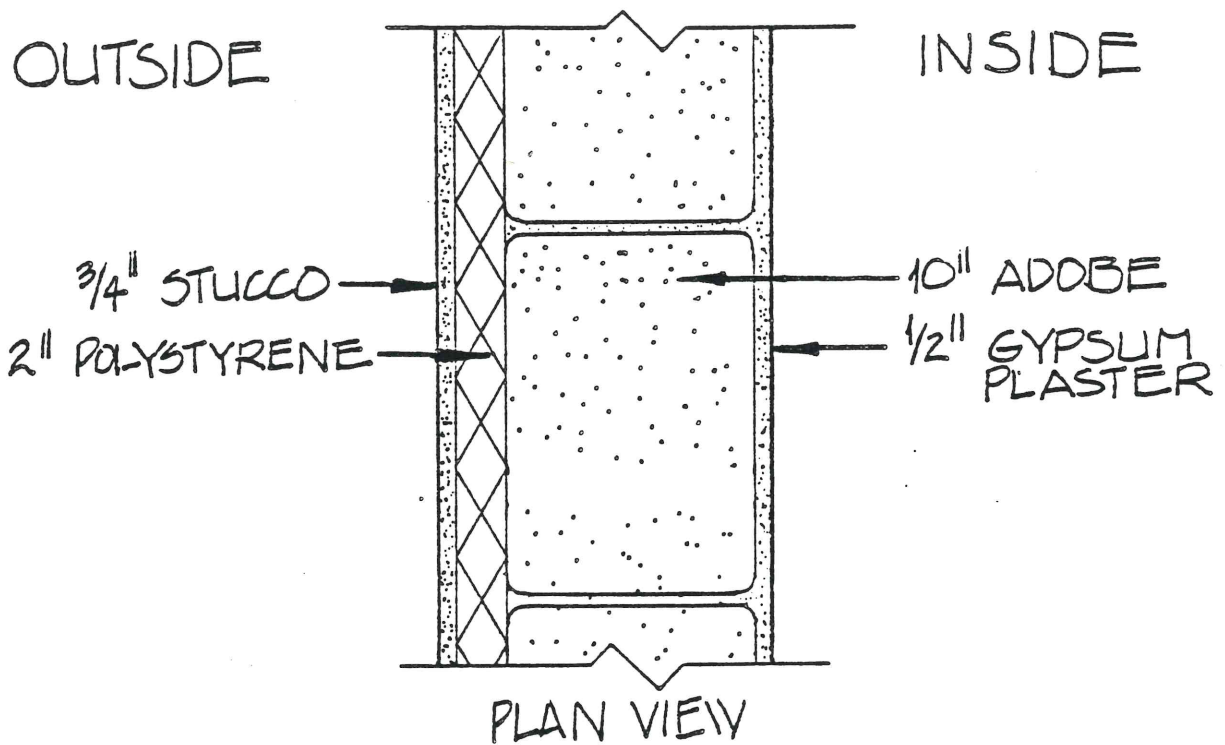
WALL TYPE 2 ASHRAE STEADY STATE U-VALUE		HEATING EFFECTIVE U-VALUE			
		CLIMATIC REGION			
		1.	2.	(3.)	4.
EAST	LIGHT	.181	.174	.178	.168
	MEDIUM	.155	.141	.142	.126
	DARK	.129	.108	.106	.084
SOUTH	LIGHT	.175	.166	.165	.157
	MEDIUM	.140	.122	.109	.098
	DARK	.105	.077	.053	.040
WEST	LIGHT	.186	.179	.183	.174
	MEDIUM	.167	.155	.155 ^{6.45}	.142
	DARK	.148	.130	.128	.109
NORTH	LIGHT	.191	.187	.193	.185
	MEDIUM	.179	.174	.179 ^{6.50}	.167
	DARK	.167	.161	.165	.150



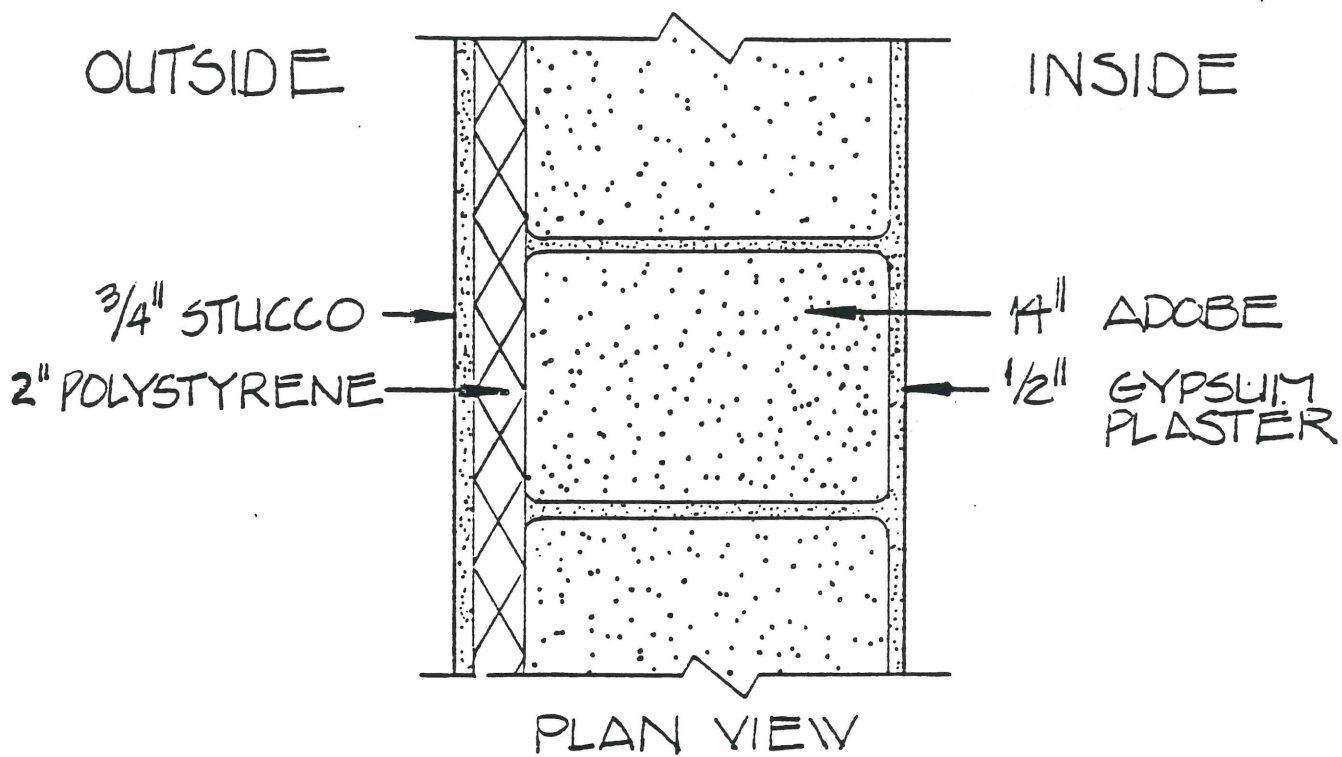
WALL TYPE <input type="checkbox"/> 3		ASHRAE STEADY STATE U-VALUE .107		BTU / HR·SF·°F	
HEATING EFFECTIVE U-VALUE					
WALL ORIENT.	WALL COLOR	CLIMATIC REGION			
		1.	2.	3.	4.
EAST	LIGHT	.107	.102	.104	.098
	MEDIUM	.092	.084	.085	.076
	DARK	.078	.066	.065	.054
SOUTH	LIGHT	.103	.097	.097	.092
	MEDIUM	.084	.074	.067	.061
	DARK	.065	.050	.037	.030
WEST	LIGHT	.109	.104	.107	.102
	MEDIUM	.099	.091	.092	.084
	DARK	.089	.078	.077	.067
NORTH	LIGHT	.112	.109	.112	.107
	MEDIUM	.105	.102	.105	.098
	DARK	.099	.094	.097	.089



WALL TYPE <input type="checkbox"/> 4		ASHRAE STEADY STATE U-VALUE		.095		BTU HR·SF·°F	
HEATING EFFECTIVE U-VALUE							
WALL ORIENT.	WALL COLOR	CLIMATIC REGION					
		1.	2.	3.	4.		
EAST	LIGHT	.095	.091	.093	.088		
	MEDIUM	.083	.075	.076	.068		
	DARK	.070	.060	.058	.048		
SOUTH	LIGHT	.092	.087	.087	.082		
	MEDIUM	.075	.066	.060	.054		
	DARK	.058	.045	.033	.026		
WEST	LIGHT	.098	.093	.096	.091		
	MEDIUM	.089	.082	.082	.075		
	DARK	.079	.070	.069	.060		
NORTH	LIGHT	.100	.097	.100	.096		
	MEDIUM	.094	.091	.094	.087		
	DARK	.089	.084	.087	.079		



WALL TYPE		5		ASHRAE STEADY STATE U-VALUE		.068		BTU HR·SF·°F	
HEATING EFFECTIVE U-VALUE									
WALL ORIENT.	WALL COLOR	CLIMATIC REGION							
		1.	2.	3. <i>100</i>	4.				
EAST	LIGHT	.069	.066	.067	.064				
	MEDIUM	.060	.055	.055	.049				
	DARK	.051	.043	.042	.035				
SOUTH	LIGHT	.067	.063	.063	.060				
	MEDIUM	.055	.048	.043	.040				
	DARK	.042	.033	.024	.019				
WEST	LIGHT	.071	.068	.069	.066				
	MEDIUM	.064	.059	.060	.055				
	DARK	.058	.051	.050	.043				
NORTH	LIGHT	.073	.070	.073	.070				
	MEDIUM	.069	.066	.068	.064				
	DARK	.064	.061	.063	.058				



WALL TYPE		ASHRAE STEADY STATE U-VALUE		BTU / HR·SF·°F	
6		.063 R=15.5"			
HEATING EFFECTIVE U-VALUE					
WALL ORIENT.	WALL COLOR	CLIMATIC REGION			
		1.	2.	3.	4.
EAST	LIGHT	.064	.061	.063	.059
	MEDIUM	.056	.051	.051	.046
	DARK	.048	.040	.039	.032
SOUTH	LIGHT	.062	.059	.058	.055
	MEDIUM	.051	.044	.040	.037
	DARK	.039	.030	.022	.018
WEST	LIGHT	.066	.063	.064	.061
	MEDIUM	.060	.055	.055	.051
	DARK	.054	.047	.046	.040
NORTH	LIGHT	.068	.065	.067	.064
	MEDIUM	.064	.061	.063	.059
	DARK	.060	.057	.059	.053